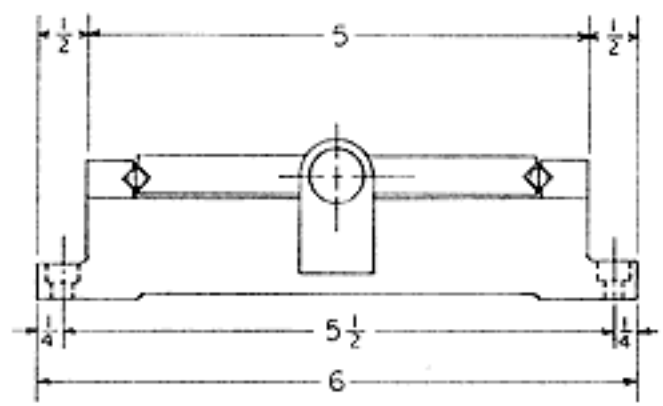
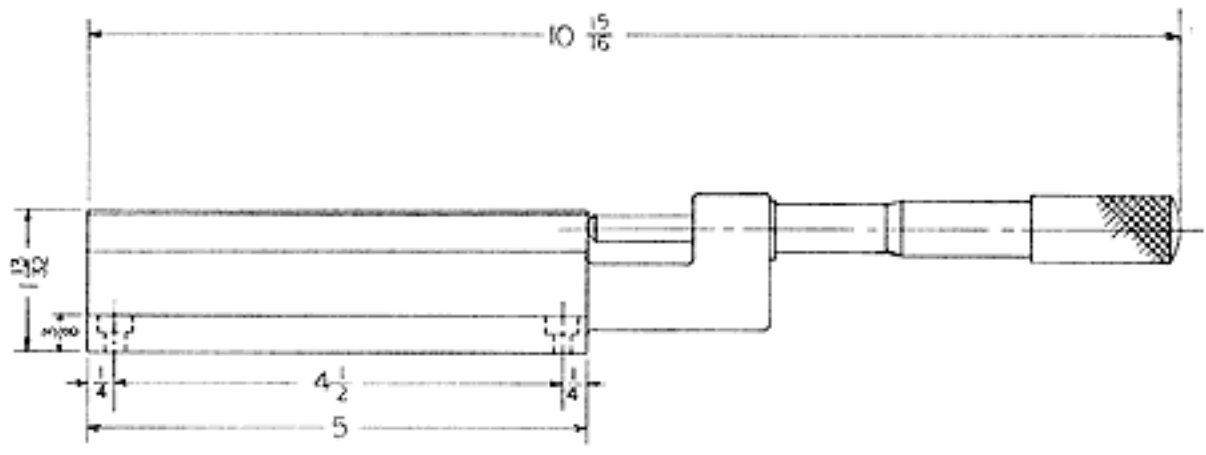


1. SLIDE AND BALL RACES ARE OF TOOL STEEL HARDENED TO 60-62 RC.
2. CASTING IS ALUMINUM ALLOY.
3. SLIDE SHOWN AT MIDPOINT OF TRAVEL.



LINE TOOL COMPANY		
ALLENTOWN, PA.		
SCALE 2/1	DESIGNED BY	DRAWN BY GJM
DATE 7-10-80		
MICROPOSITIONER MODEL 103		
TRAVEL 2"		DRAWING NUMBER M-1208