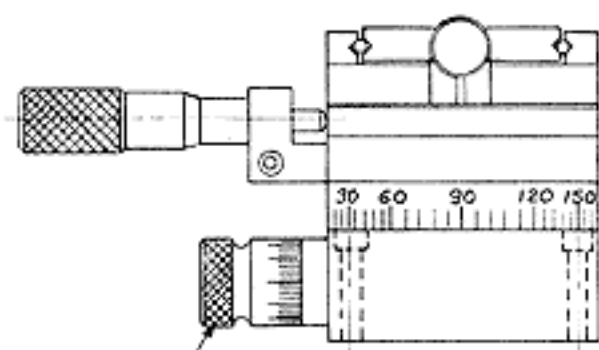
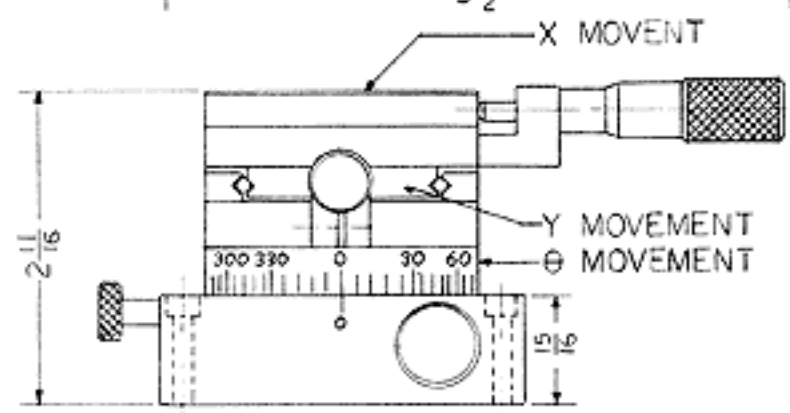


SLIDES SHOWN AT MIDPOINT OF TRAVEL.
 EACH SLIDE TRAVELS $\frac{1}{4}$ " IN EITHER DIRECTION.
 $\frac{1}{2}$ " TOTAL TRAVEL.
 360° ROTATION.
 ONE TURN OF ADJUSTING KNOB MOVES ROTARY MOTION 6°
 5' GRADUATIONS ON ADJUSTING KNOB.

- (6) #6-32 TAPPED HOLES
- (4) DRILL & C'BORE FOR 6-32 SHC SCREW



ADJUSTING KNOB

**MICROPOSITIONER
 MODEL-110**
 LINE TOOL CO.
 943 KURTZ ST.
 ALLENTOWN, PA.