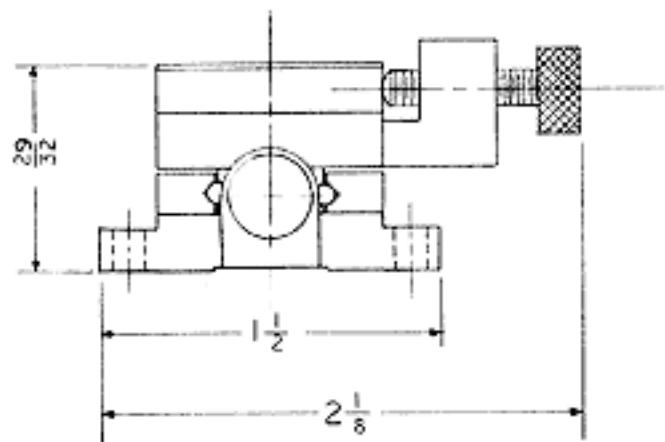
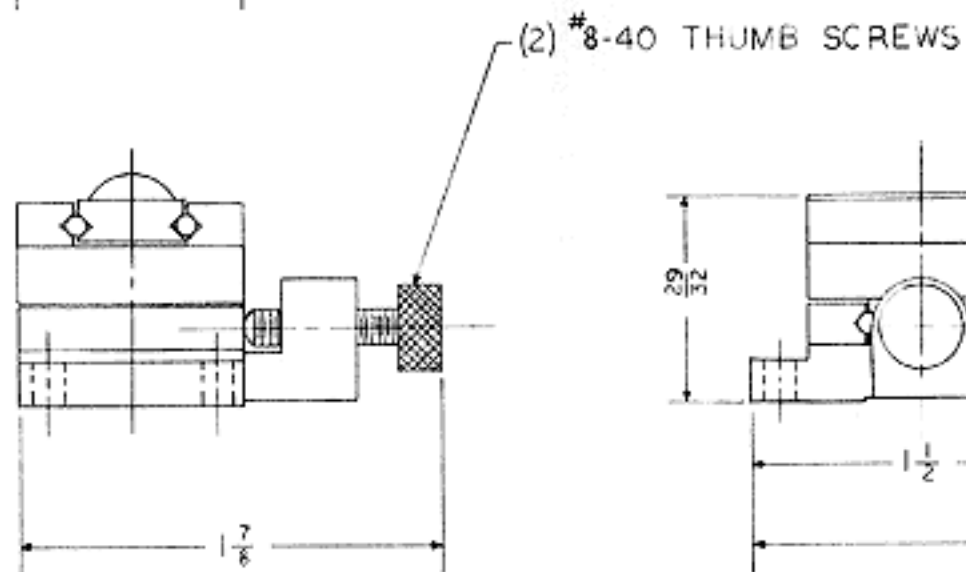
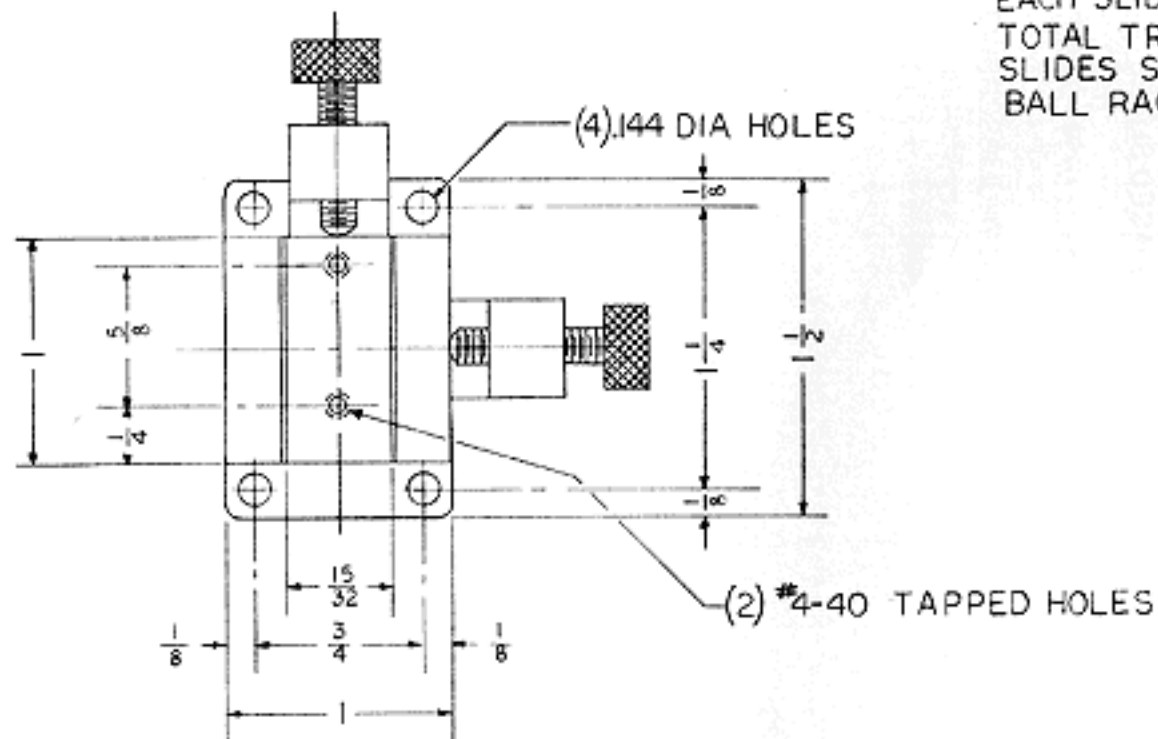


EACH SLIDE SHOWN AT MIDPOINT OF TRAVEL.
 TOTAL TRAVEL OF SLIDES $\frac{1}{4}$
 SLIDES SPRING LOADED AGAINST THUMB SCREWS.
 BALL RACES AND SLIDES HARDENED TO 60-62 RC



MICROPOSITIONER
 MODEL III

LINE TOOL CO.
 943 KURTZ ST.
 ALLENTOWN, PA.