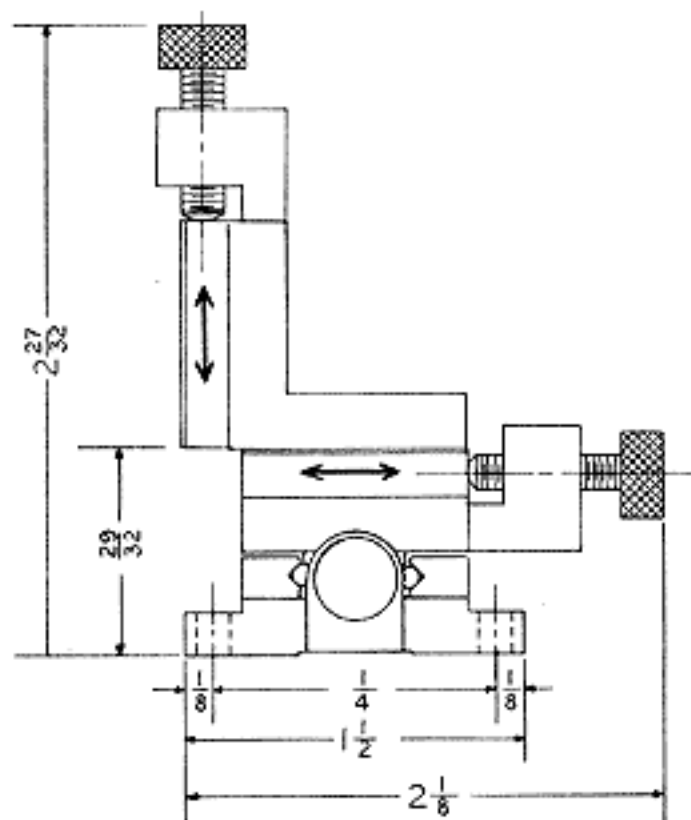
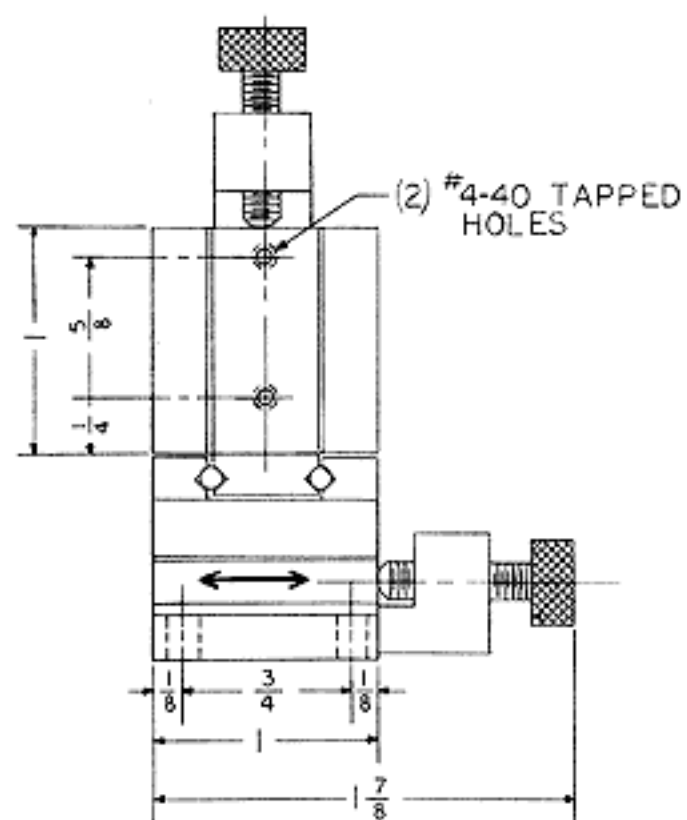


EACH SLIDE SHOWN AT MIDPOINT OF TRAVEL.
 TOTAL TRAVEL OF SLIDES $\frac{1}{4}$
 SLIDES SPRING LOADED AGAINST THUMB SCREWS.
 BALL RACES AND SLIDES HARDENED TO 60-62 RC.



MICROPOSITIONER
 MODEL 112

LINE TOOL CO.
 943 KURTZ ST.
 ALLENTOWN, PA.