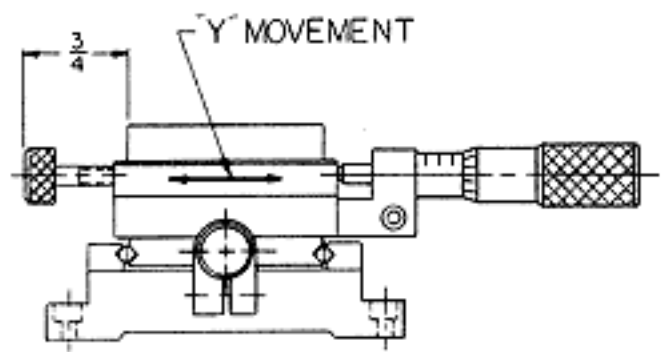
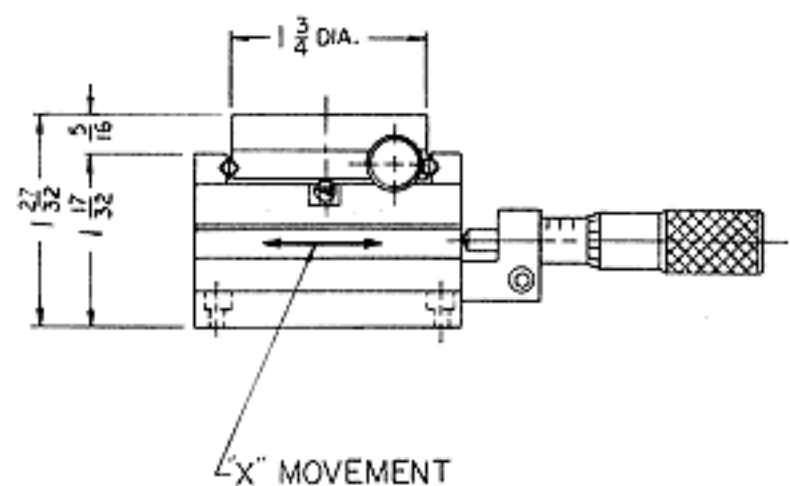
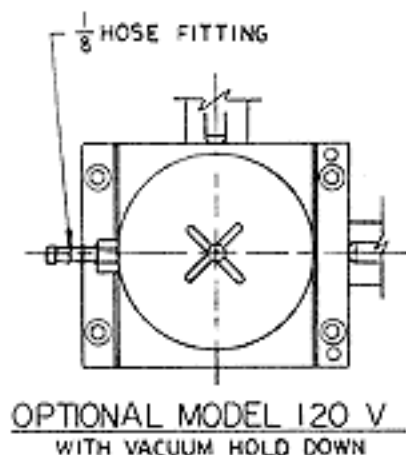
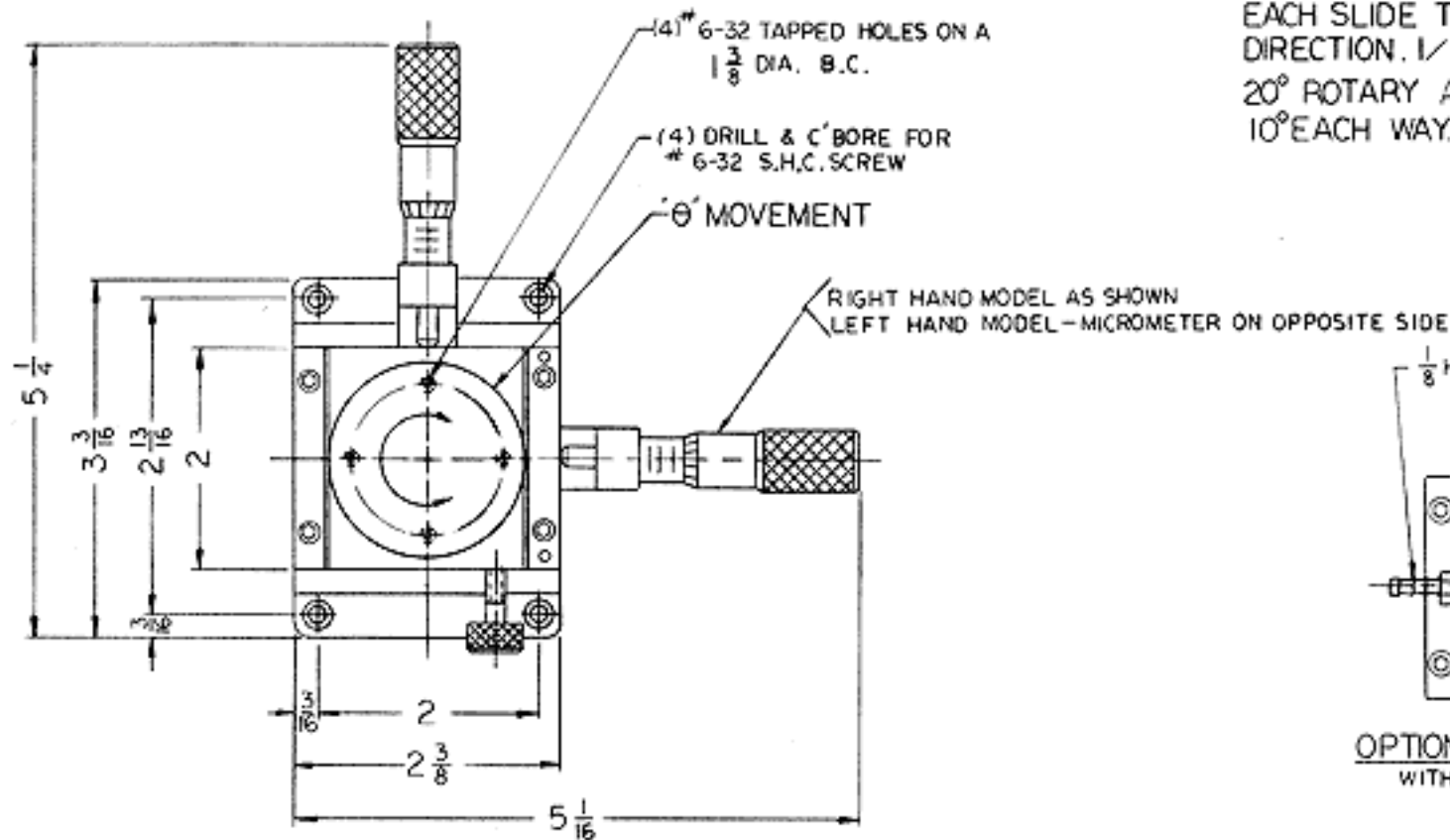


SLIDES SHOWN AT MIDPOINT OF TRAVEL.  
 EACH SLIDE TRAVELS  $\frac{1}{4}$ " IN EITHER  
 DIRECTION.  $\frac{1}{2}$ " TOTAL TRAVEL EACH SLIDE.  
 20° ROTARY ADJUSTMENT TOTAL,  
 10° EACH WAY.



MICROPOSITIONER MODEL 120
LINE TOOL CO. 943 KURTZ ST. ALLENTOWN, PA.