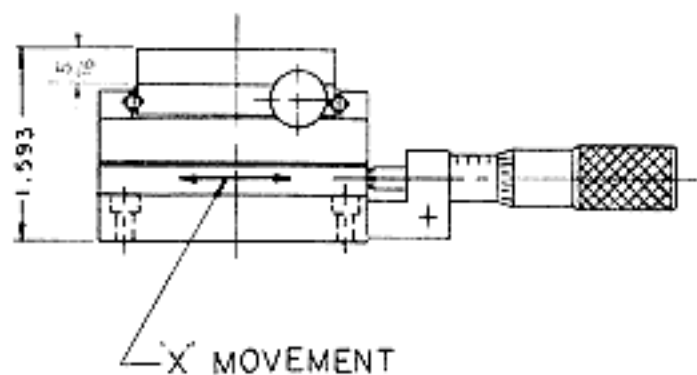
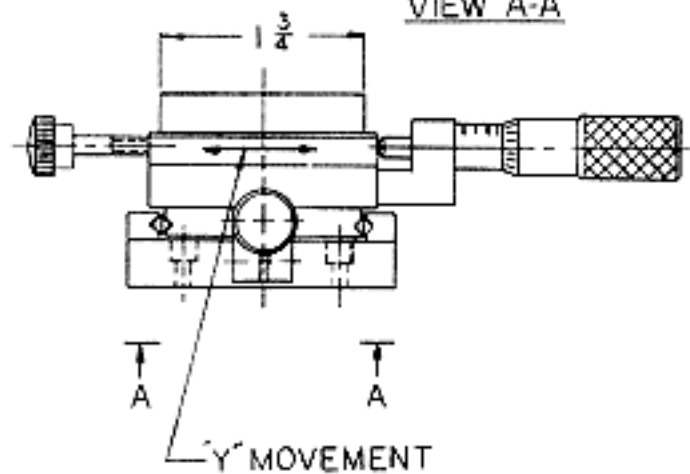
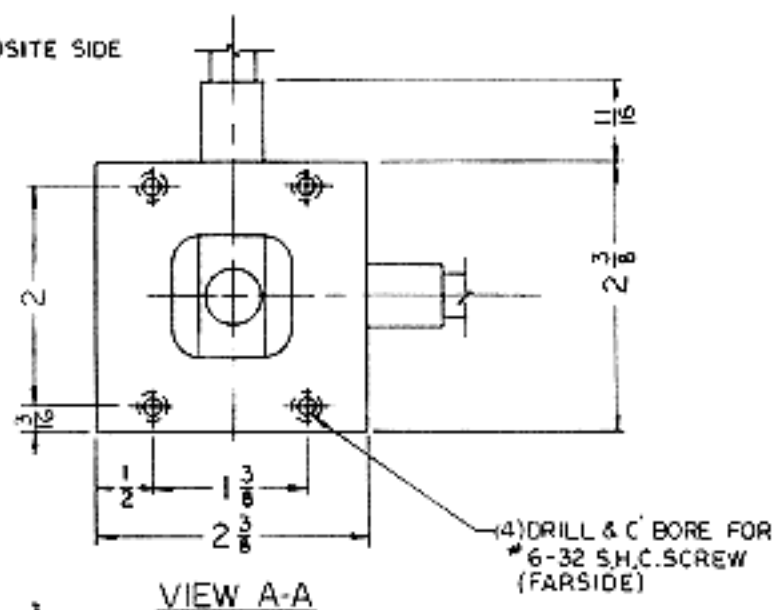
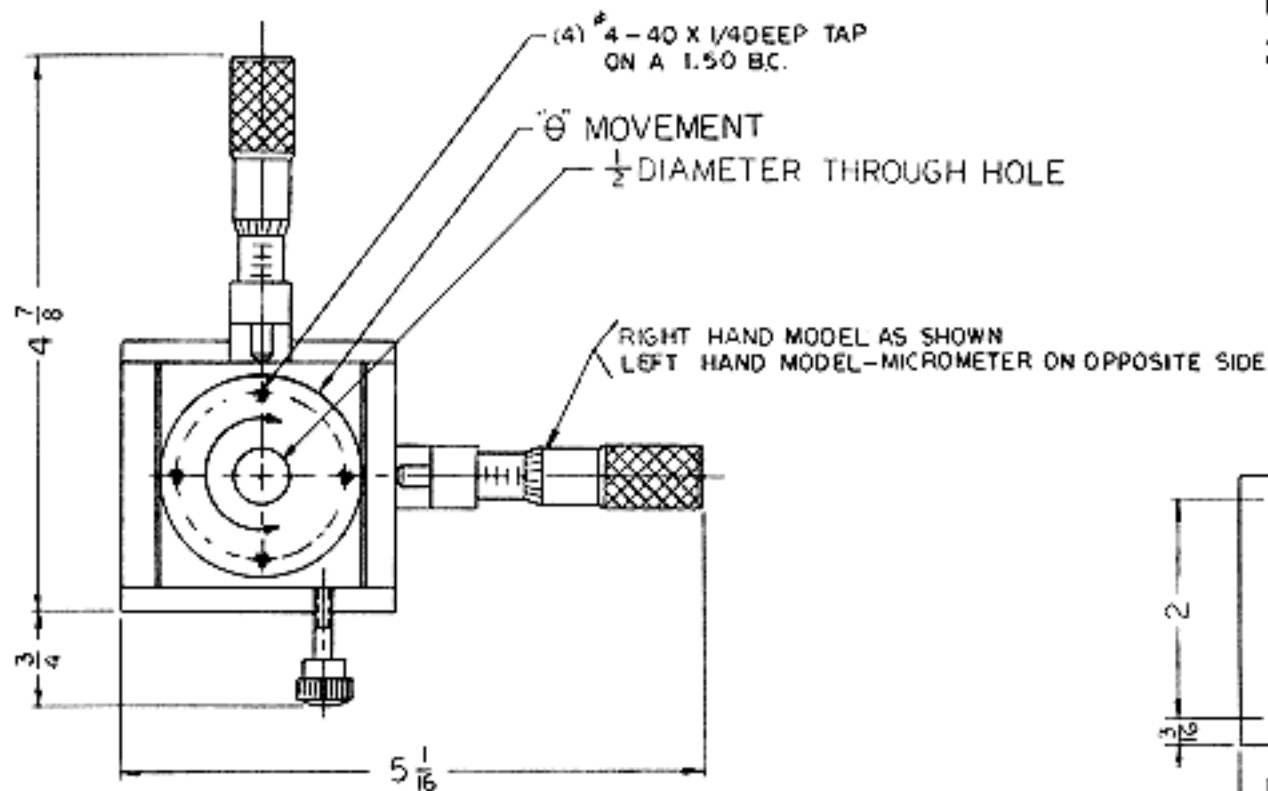


SLIDES SHOWN AT MIDPOINT OF TRAVEL.
 EACH SLIDE TRAVELS $\frac{1}{4}$ " IN EITHER
 DIRECTION. $\frac{1}{2}$ " TOTAL TRAVEL EACH SIDE.
 20° ROTARY ADJUSTMENT TOTAL,
 10° EACH WAY.



MICROPOSITIONER
 MODEL 128

LINE TOOL CO.
 943 KURTZ ST.
 ALLENTOWN, PA.