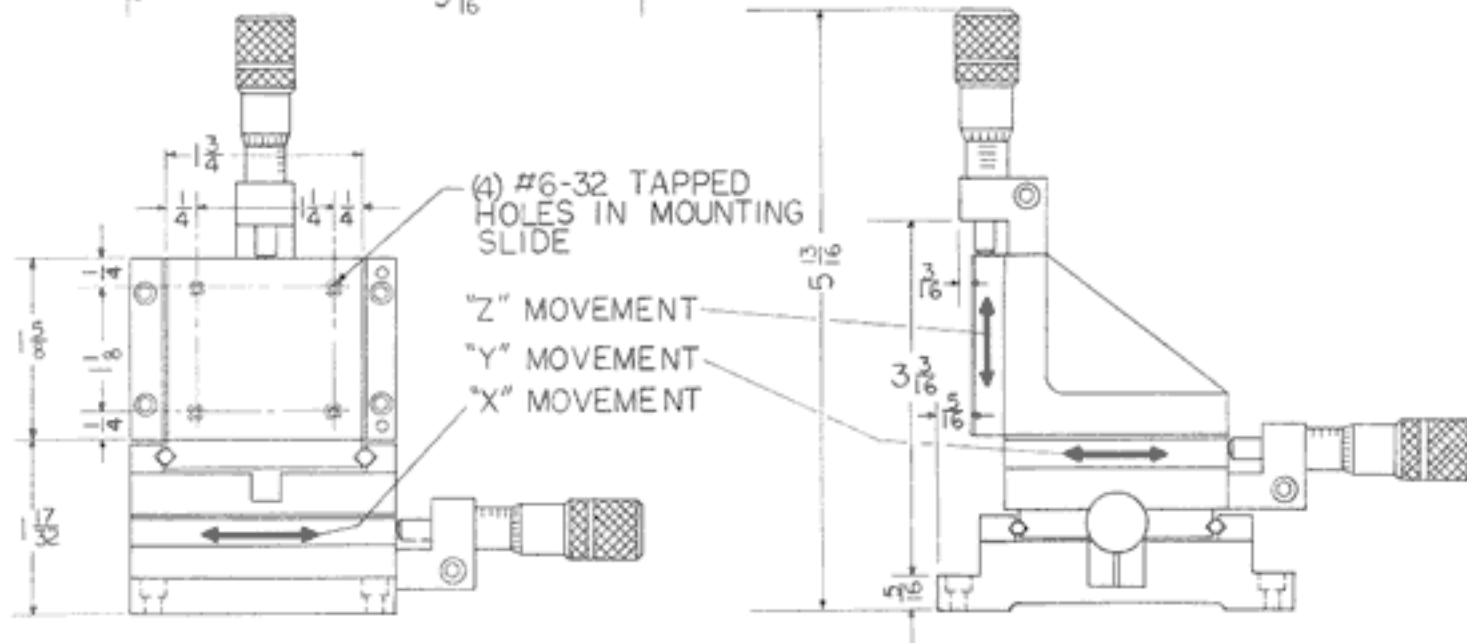
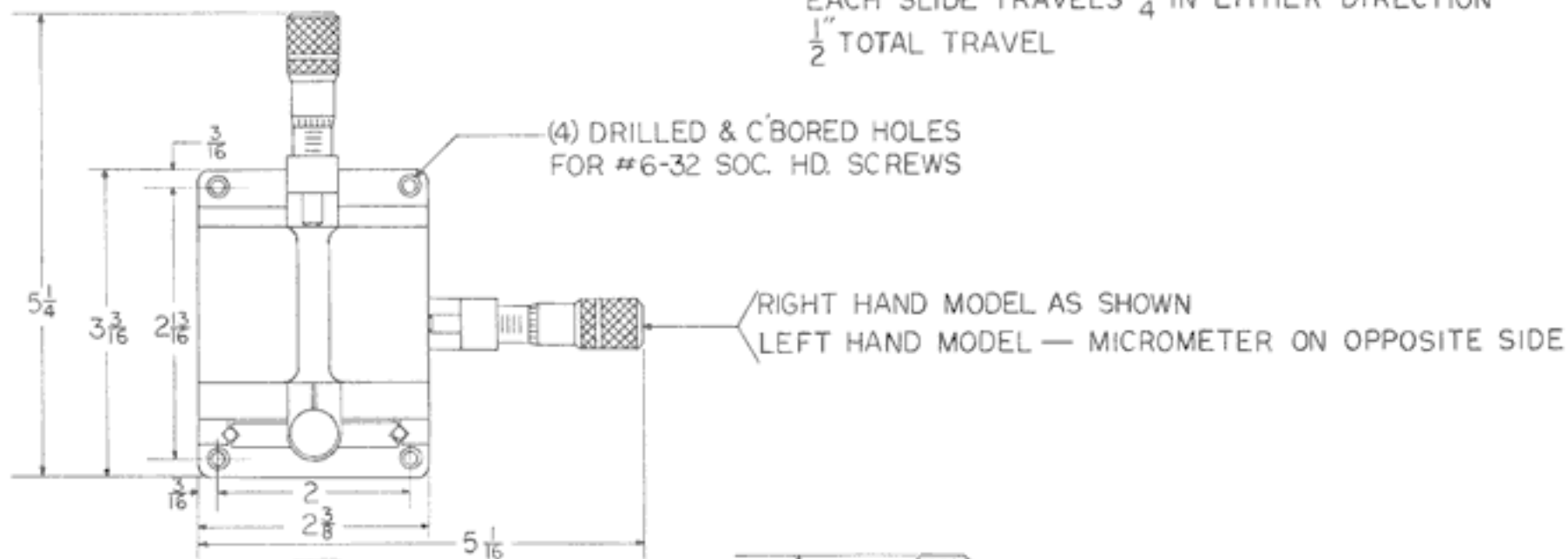


ALL 3 SLIDES SHOWN AT MIDPOINT OF TRAVEL  
 EACH SLIDE TRAVELS  $\frac{1}{4}$ " IN EITHER DIRECTION  
 $\frac{1}{2}$ " TOTAL TRAVEL



MICROPOSITIONER  
 MODEL-A

LINE TOOL CO.  
 943 KURTZ ST.  
 ALLENTOWN, PA.