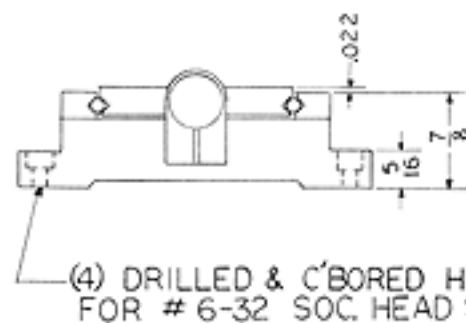
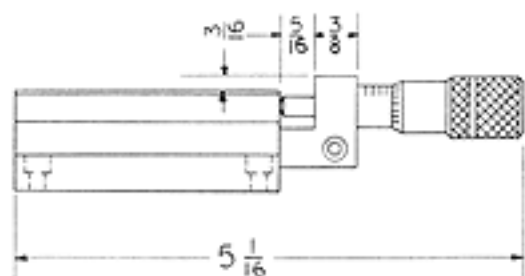
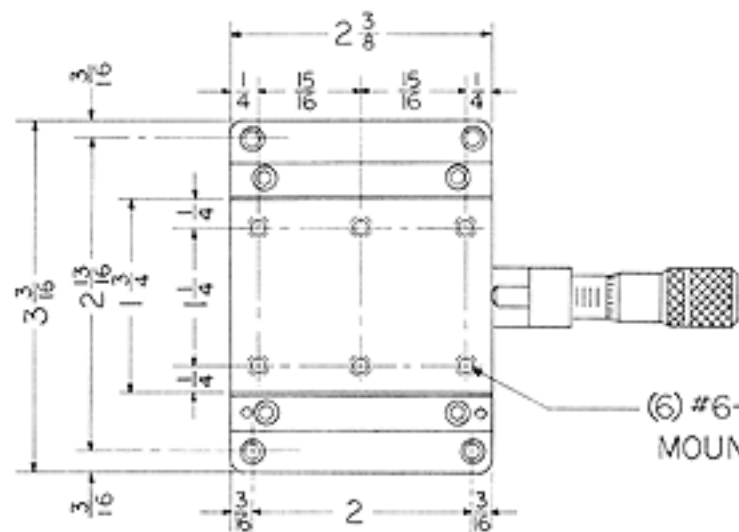


SLIDE SHOWN AT MIDPOINT OF TRAVEL
SLIDE TRAVELS $\frac{1}{4}$ " IN EITHER DIRECTION
 $\frac{1}{2}$ " TOTAL TRAVEL



MICROPOSITIONER
MODEL - D

LINE TOOL CO.
943 KURTZ ST.
ALLENTOWN, PA.