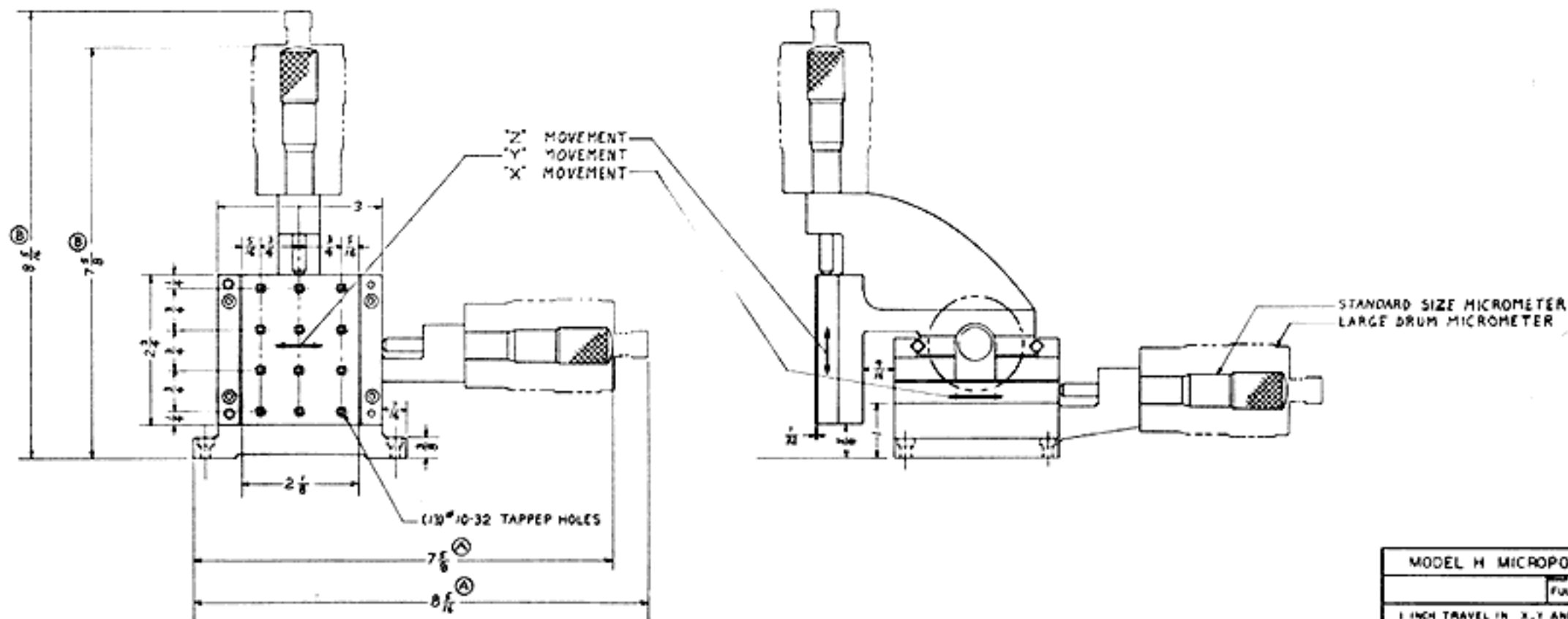


- 1 - ALL 3 SLIDES SHOWN AT MIDPOINT OF TRAVEL.
- 2 - EACH SLIDE TRAVELS $\frac{1}{8}$ " IN EITHER DIRECTION.
- 3 - 1" TOTAL TRAVEL.
- 4 - ALL DIMENSIONS MARKED (A) CHANGE POSITION AS MICROMETERS ARE TURNED FORWARD OR BACKWARD $\frac{1}{8}$ INCH.
- 5 - HEIGHT AT DIMENSIONS (B) CHANGES PLUS OR MINUS $\frac{1}{8}$ " AS MICROMETER IS TURNED.

RIGHT HAND MODEL AS SHOWN
LEFT HAND MODEL, THIS MICROMETER ON OPPOSITE SIDE

MICROMETERS AVAILABLE		
TYPE	TRAVEL	GRADUATION
STANDARD SIZE	1 INCH	.001 INCH
STANDARD SIZE	25 MM	.01 MM
LARGE DRUM	1 INCH	.0001 INCH
LARGE DRUM	25 MM	.002 MM



MODEL H MICROPOSITIONER	
DATE	REV.
FULL	
1 INCH TRAVEL IN X, Y AND Z PLANES	
DATE	REV.
1/2/77	M-1202