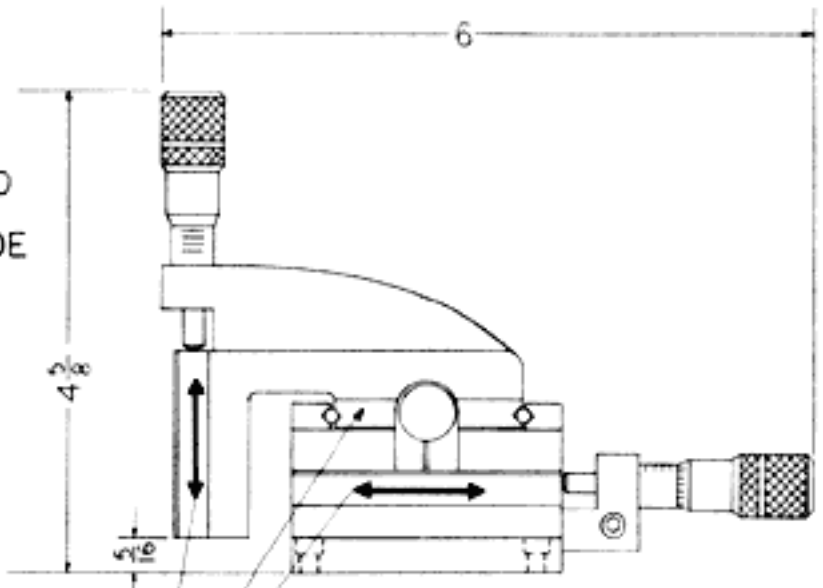
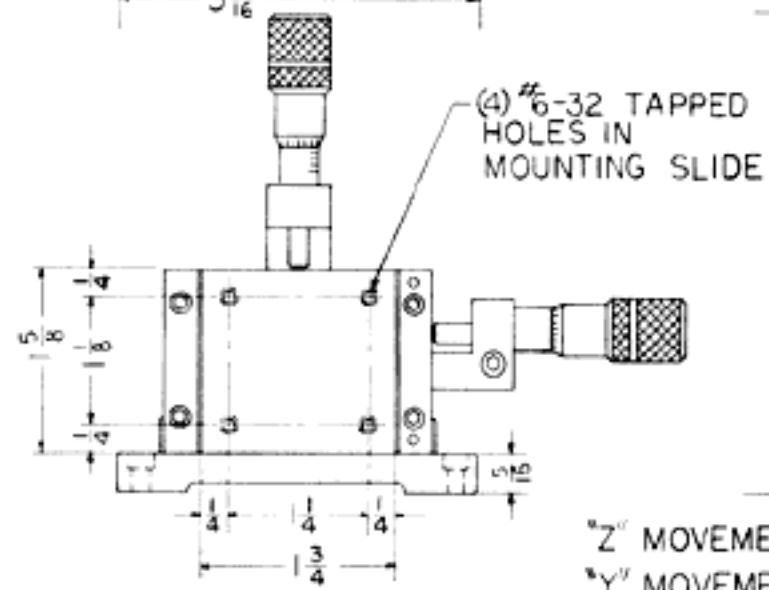


ALL 3 SLIDES SHOWN AT MIDPOINT OF TRAVEL
 EACH SLIDE TRAVELS $\frac{1}{4}$ " IN EITHER DIRECTION
 $\frac{1}{2}$ " TOTAL TRAVEL

RIGHT HAND MODEL — AS SHOWN
 LEFT HAND MODEL — MICROMETER ON OPPOSITE SIDE



"Z" MOVEMENT
 "Y" MOVEMENT
 "X" MOVEMENT

MICROPOSITIONER MODEL J
LINE TOOL CO. 943 KURTZ ST. ALLENTOWN, PA.