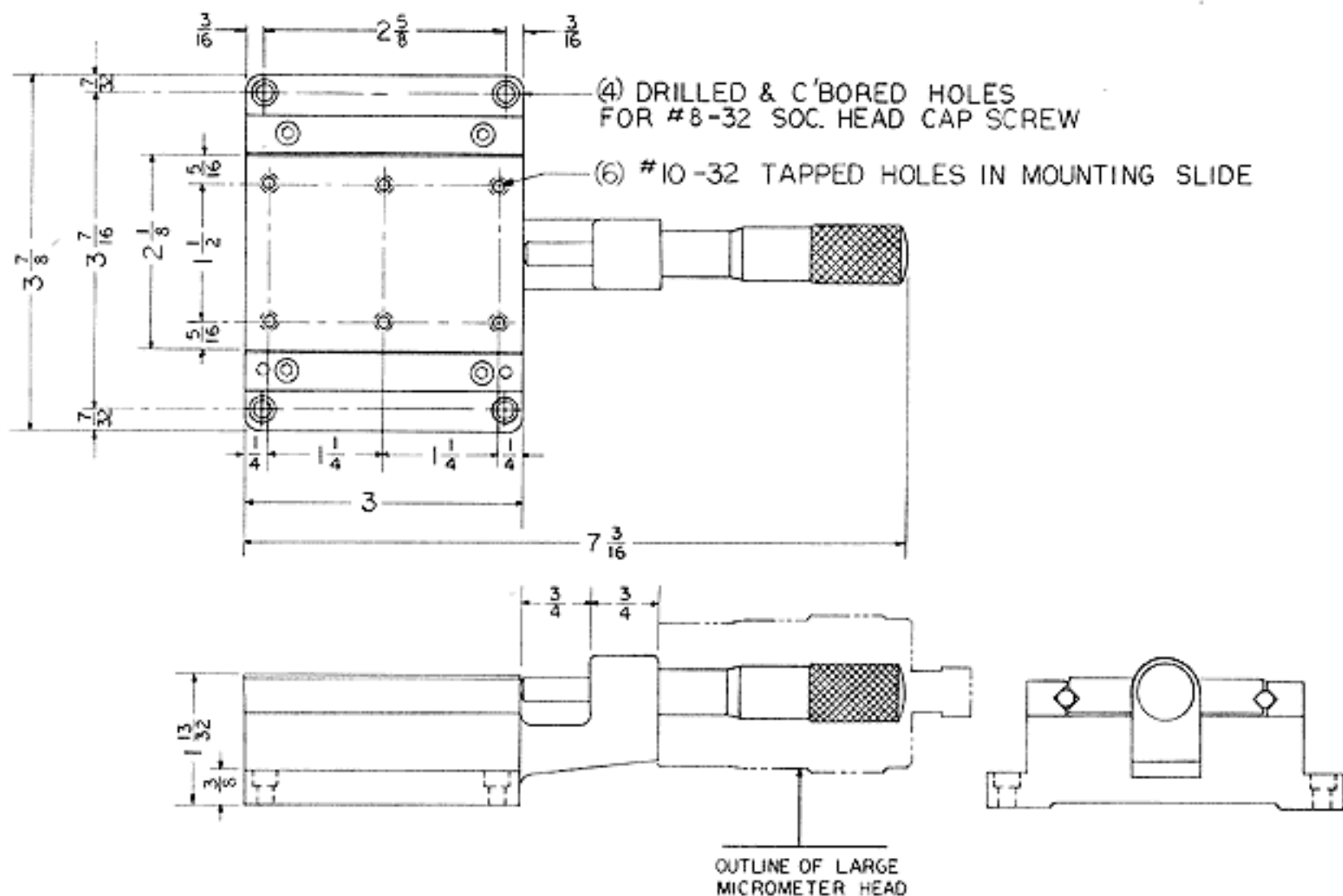


SLIDE SHOWN AT MIDPOINT OF TRAVEL
 SLIDE TRAVELS $\frac{1}{2}$ " IN EITHER DIRECTION
 1" TOTAL TRAVEL
 STANDARD SIZE MICROMETER HEAD SHOWN



MICROPOSITIONER
 MODEL-L

LINE TOOL CO.
 943 KURTZ ST.
 ALLENTOWN, PA.