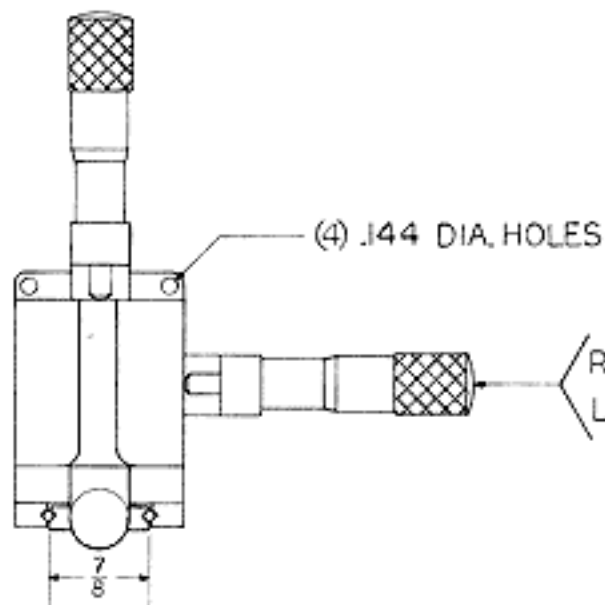
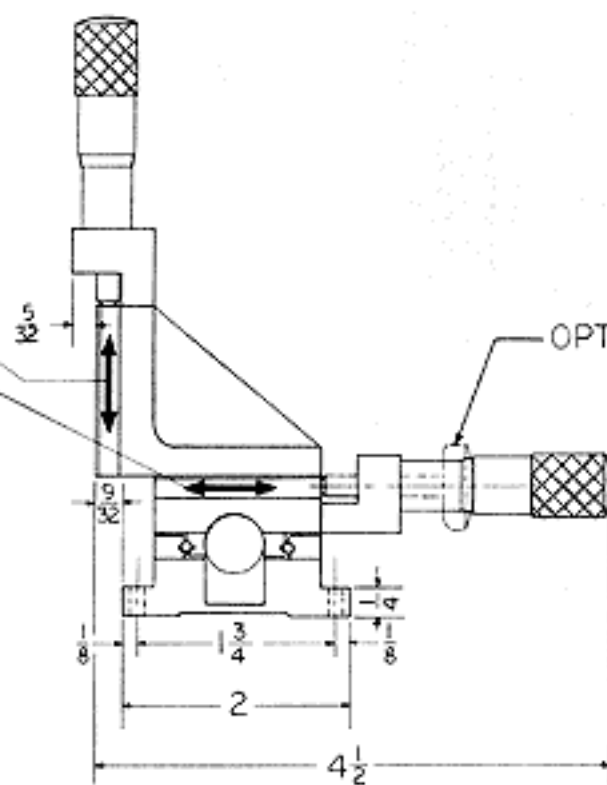
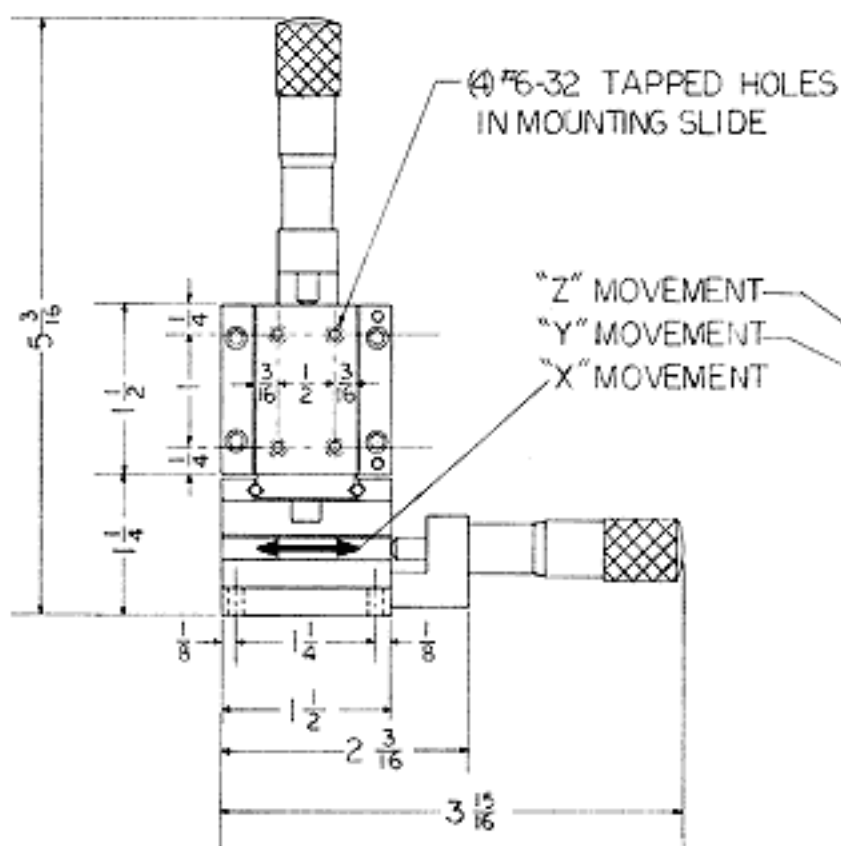


ALL 3 SLIDES SHOWN AT MIDPOINT OF TRAVEL  
 EACH SLIDE TRAVELS  $\frac{1}{4}$ " IN EITHER DIRECTION  
 $\frac{1}{2}$ " TOTAL TRAVEL



RIGHT HAND MODEL AS SHOWN  
 LEFT HAND MODEL — MICROMETER ON OPPOSITE SIDE



OPTIONAL THUMB SCREW.  
 IF THUMB SCREWS ARE  
 USED IN PLACE OF  
 MICROMETERS OVERALL  
 DIMENSIONS WILL BE  
 REDUCED BY  $1 \frac{1}{4}$ ".

MICROPOSITIONER  
 MODEL - N

LINE TOOL CO.  
 943 KURTZ ST.  
 ALLENTOWN, PA.