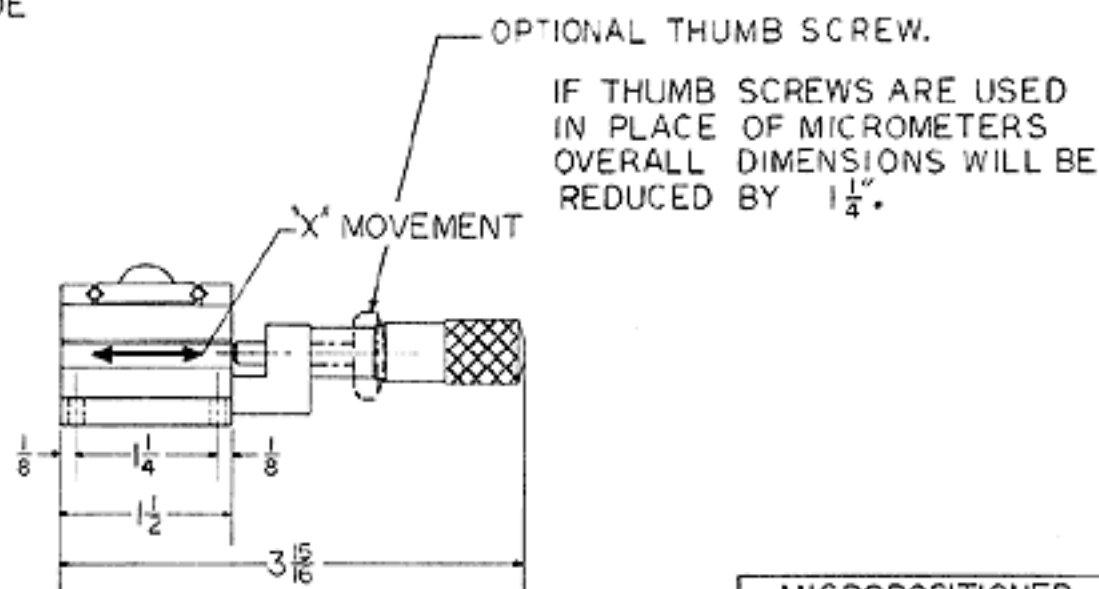
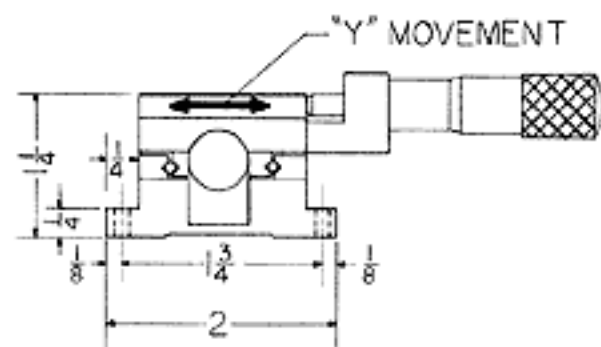
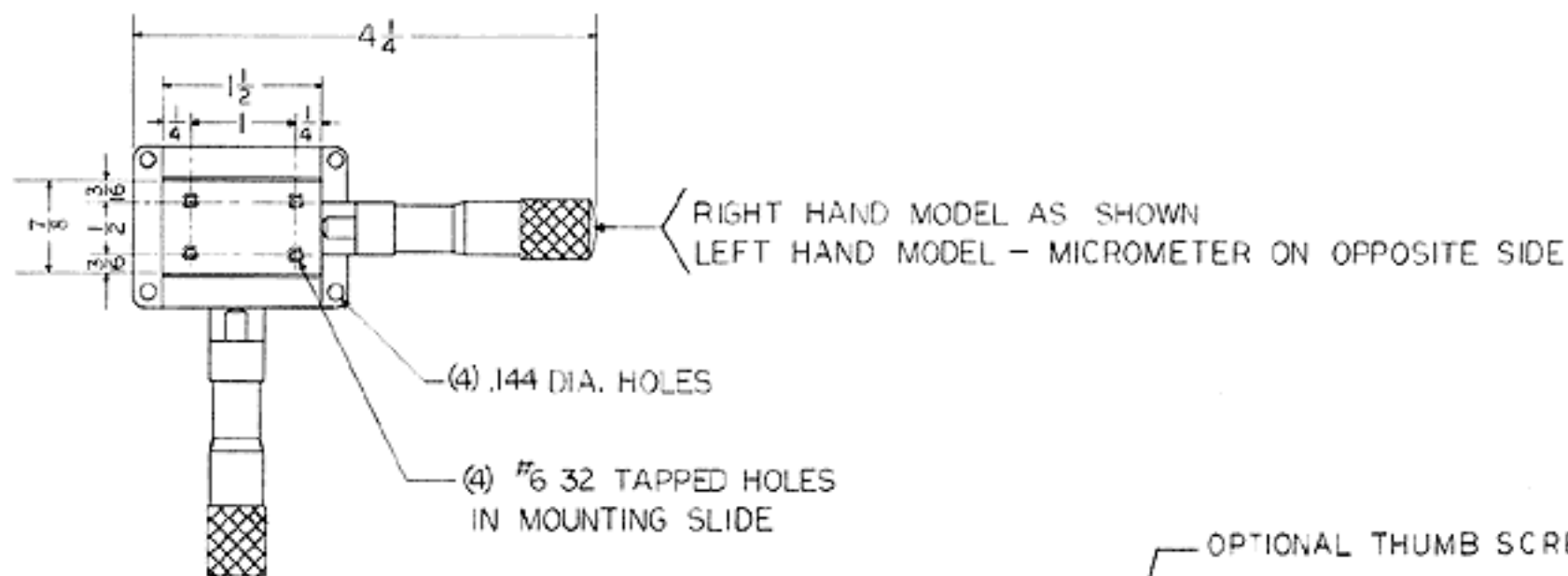


SLIDES SHOWN AT MIDPOINT OF TRAVEL
 EACH SLIDE TRAVELS $\frac{1}{4}$ " IN EITHER DIRECTION
 $\frac{1}{2}$ " TOTAL TRAVEL EACH SLIDE



MICROPOSITIONER
 MODEL - O

LINE TOOL CO.
 943 KURTZ ST.
 ALLENTOWN, PA.