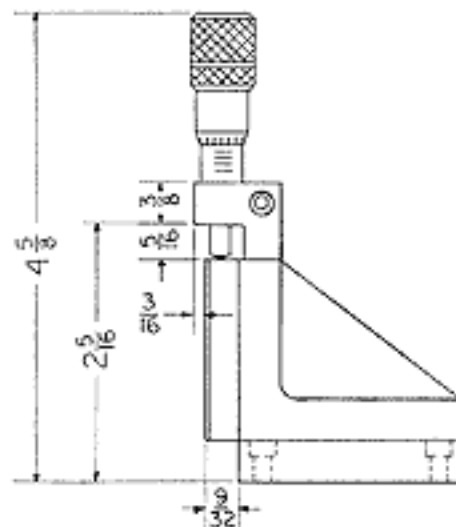
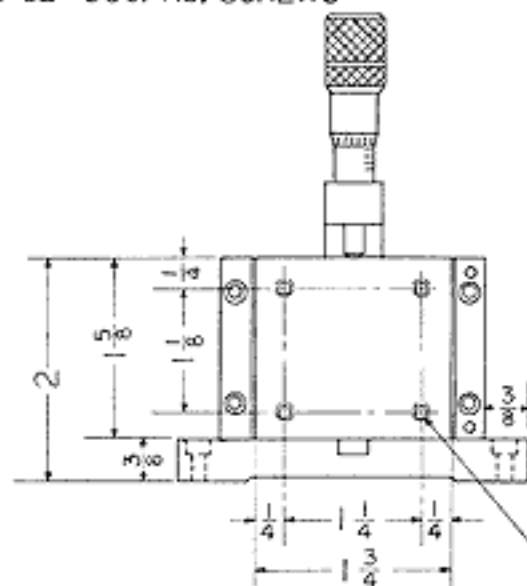


SLIDE SHOWN AT MIDPOINT OF TRAVEL
 SLIDE TRAVELS $\frac{1}{4}$ " IN EITHER DIRECTION
 $2\frac{1}{2}$ " TOTAL TRAVEL

4 DRILLED & C'BORED HOLES
 FOR #6-32 SOC. HD. SCREWS



(4) #6-32 TAPPED HOLES
 IN MOUNTING SLIDE

MICROPOSITIONER
 MODEL - F

LINE TOOL CO.
 943 KURTZ ST.
 ALLENTOWN, PA.