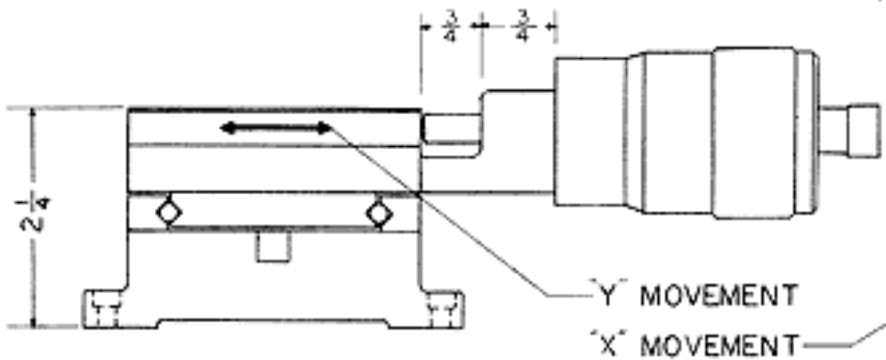


BOTH SLIDES SHOWN AT MIDPOINT OF TRAVEL  
 EACH SLIDE TRAVELS  $\frac{1}{2}$ " IN EITHER DIRECTION  
 1" TOTAL TRAVEL  
 MICROMETER HEADS WITH LARGE DRUMS SHOWN

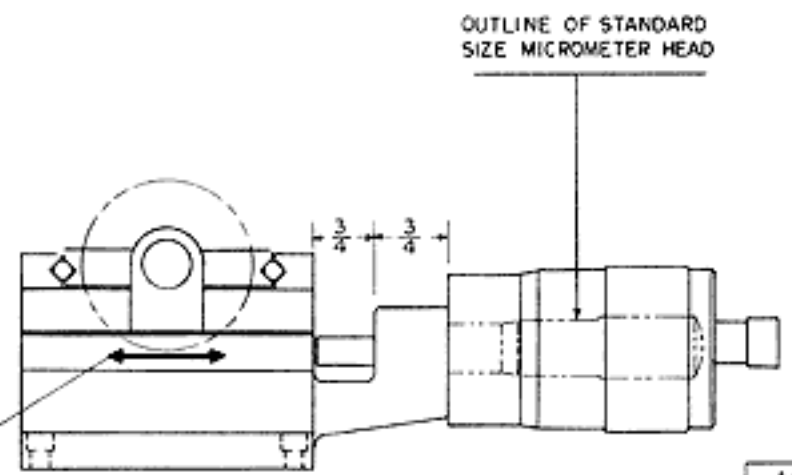
(6) #10-32 TAPPED HOLES  
 IN MOUNTING SLIDE

(4) DRILLED & C'BORED  
 HOLES FOR #8-32 SOC.  
 HEAD CAP SCREW

RIGHT HAND MODEL AS SHOWN  
 LEFT HAND MODEL — MICROMETER ON OPPOSITE SIDE



'Y' MOVEMENT  
 'X' MOVEMENT



OUTLINE OF STANDARD  
 SIZE MICROMETER HEAD

MICROPOSITIONER  
 MODEL I  
 LINE TOOL CO.  
 943 KURTZ ST.  
 ALLENTOWN, PA.